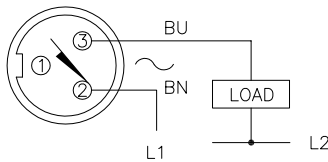
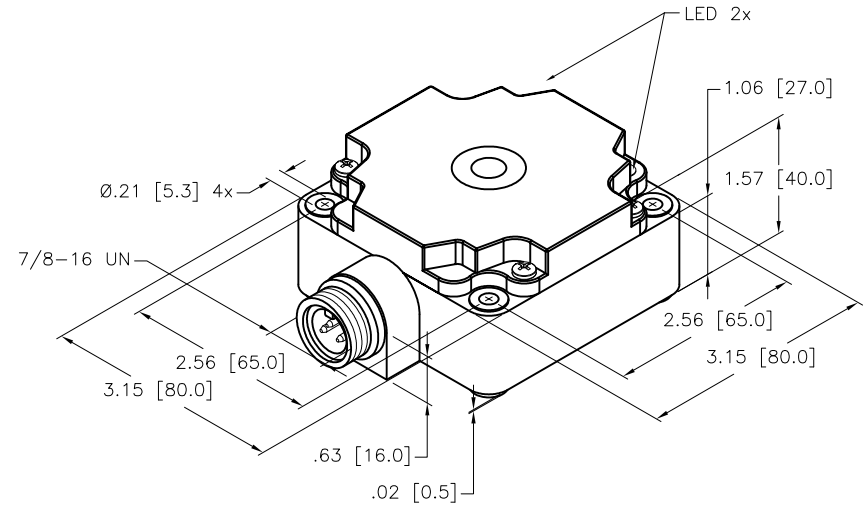


OPERATING VOLTAGE	2-WIRE AC/DC, 20-250 VAC/VDC
OUTPUT FUNCTION.....	CONNECTION PROGRAMMABLE
EMBEDDABLE	NO
RATED OPERATING DISTANCE.....	50 mm
APPROVAL OR CERTIFICATION.....	CSA (C US), CE
SHORT-CIRCUIT PROTECTION.....	NO
WELD-FIELD IMMUNITY.....	NO
SWITCHING FREQUENCY.....	20 Hz
LINE FREQUENCY.....	40-60 Hz
DIFFERENTIAL TRAVEL <HYSTERESIS>.....	3-15% (5% TYPICAL)
VOLTAGE DROP ACROSS CONDUCTING SENSOR.....	≤7.0 V AT 500 mA
CONTINUOUS LOAD CURRENT.....	≤500 mA
OFF-STATE <LEAKAGE> CURRENT.....	≤1.7 mA
MINIMUM LOAD CURRENT.....	≥5.0 mA
INRUSH CURRENT.....	≤8.0 A (≤10 ms, 5% DUTY CYCLE)
TIME DELAY BEFORE AVAILABILITY.....	≤80 ms
POWER-ON EFFECT.....	PER IEC 947-5-2
TRANSIENT PROTECTION.....	PER EN 60947-5-2
OPERATING TEMPERATURE.....	-25°C TO +70°C (-13°F TO + 158°F)
SHOCK.....	.30 g, 11 ms
VIBRATION.....	55 Hz, 1 mm AMPLITUDE (ALL 3 PLANES)
REPEATABILITY.....	≤2% OF RATED OPERATING DISTANCE
NUMBER OF LEDS.....	2
LED FUNCTION <RED>.....	OUTPUT ENERGIZED
LED FUNCTION <GREEN>.....	POWER ON
ENCLOSURE.....	MEETS NEMA 1,3,4,6,13, AND IEC IP 67
CONNECTION.....	3-PIN minifast CONNECTOR
CONNECTOR MATERIAL.....	CHROME-PLATED BRASS
HOUSING MATERIAL.....	PBT-GF30-V0 PLASTIC
TERMINAL CHAMBER COVER MATERIAL.....	TROGAMID T



CAUTION! NOT SHORT-CIRCUIT PROTECTED. AN ELECTRICAL SHOCK HAZARD EXISTS INSIDE OF TERMINAL CHAMBER-STYLE SENSORS WHENEVER POWER IS APPLIED. REMOVE ALL POWER TO THE SENSOR WHENEVER SENSOR WIRING IS EXPOSED.

SOURCE DRAWING - FOR REFERENCE ONLY

RELATED DOCUMENTS 1. 2. 3. 4.	3RD ANGLE PROJECTION 	THIS DRAWING IS CONFIDENTIAL AND THE PROPERTY OF TURCK INC. USE OF THIS DOCUMENT WITHOUT WRITTEN PERMISSION IS PROHIBITED.		3000 CAMPUS DRIVE MINNEAPOLIS, MN 55441 1-800-544-7769 (763) 553-7300 (763) 553-0708 fax www.turck.us	
	MATERIAL	DRFT RDS	DATE 07/30/13	DESCRIPTION NI50-CP80-FZ3X2-B1131	
FINISH	ALL DIMENSIONS DISPLAYED ON THIS DRAWING ARE FOR REFERENCE ONLY	APVD A.F.	SCALE NONE	IDENTIFICATION NO. 1341690	
CONTACT TURCK FOR MORE INFORMATION		UNIT OF MEASUREMENT INCH [MILLIMETER]		REV B	
NOTE: ALL DIMENSIONAL TOLERANCES ±1.0 mm.		DO NOT SCALE THIS DRAWING		FILE: 1341690	
B	UPDATE ID NUMBER PER HARMONIZATION PROJECT	CBM	11/06/17		
REV	DESCRIPTION	BY	DATE	ECO NO.	